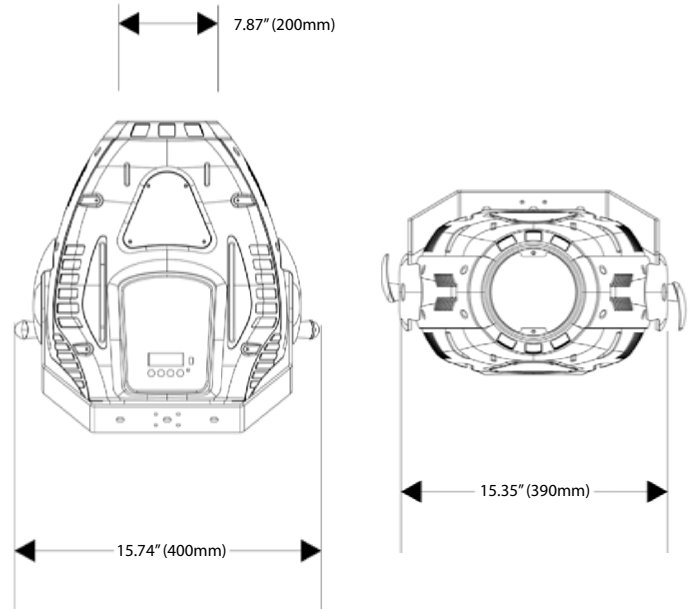
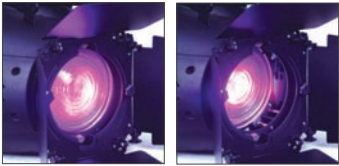


CMY Zoom 575E



MOTORIZED ZOOM

19° - 27° Motorized zoom of 150mm Fresnel Lens

CMY Zoom 575E Dimensions

The **CMY Zoom 575E** by Elation Professional is a fixed position **575W** color mixing wash fixture featuring **CMY** subtractive color mixing as well as using **7** dichroic filters (**5** colors, **CTB**, **CTC** + white), allowing for continuous, variable speed, color scrolling in both directions. This unit uses a **575W Philips MSR 575/2 575W** discharge lamp providing up to **1,000** hours estimated lamp life. The **CMY Zoom 575E** is designed to run in **3** operation modes: **DMX** controlled via **11** channels, stand alone or sound active mode. Control is via **3** pin **DMX** data first in and out cables. The **CMY Zoom 575E** also features remote **DMX** adjustable mechanical dimmer, strobe, motorized zoom allowing for a maximum beam angle of **29°** and a minimum beam angle of **13°** as well as an effect wheel with frost and **180°** beam shaper for added beam control. The unit is rated **IP 20** and is designed for indoor use only. The unit includes a hanging bracket, molded eye hole for safety cable and base plate.

FEATURES

- 575W CMY Color Mix Fixture
- CMY subtractive color mixing
- 7 Dichroic filters, 5 Colors, CTB, CTC + white
- Continuous, variable speed, color scrolling in both directions (rainbow effect)
- Pre-set variable/random strobe and dimming pulse effect
- High output luminous-parabolic dichroic reflector
- Glass dichroic reflector
- 150mm Fresnel lens
- Motorized zoom 19° - 27°
- 4 Digit L.E.D. Display
- Sound active mode
- DMX control via 11 channels
- Magnetic Ballast

TECHNICAL SPECIFICATIONS

- **DMX Channels:** 11 DMX Channels, RDMX - Remote DMX Addressing
- **Control:** USITT DMX-512, 3 pin XLR serial input/output
- **Dimmer:** Dual Flag mechanical dimming system
- **Strobe:** Variable speed strobe effect (1-10) flashes per second
- **IP Rating:** IP 20
- **Power supply:** AC 98, 120, 208, 220, 230, 240V 50/60Hz
- **Power consumption:** 800W nominal
- **Fuse:** 15A fuse, Magnetic Ballast
- **Lamp:** Philips MSR 575/2
- **Lamp Life:** 575W, 7200°K, 1000 HRS
- **Dimensions:** (LxWxH - without barn doors) 16" x 14" x 17" / 406.4mm x 355.6mm x 431.8mm
- **Weight:** 60 lbs. / 27.2 kg
- **Rigging:** 1 x Hanging Bracket
1 x Safety hole
1 x Base plate

RDMX
REMOTE DMX ADDRESSING

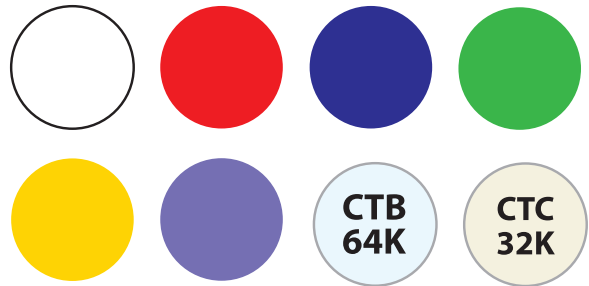
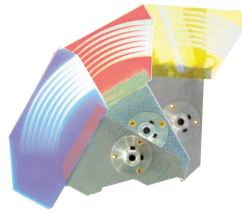
POWERED BY
PHILIPS

CMY Zoom 575E



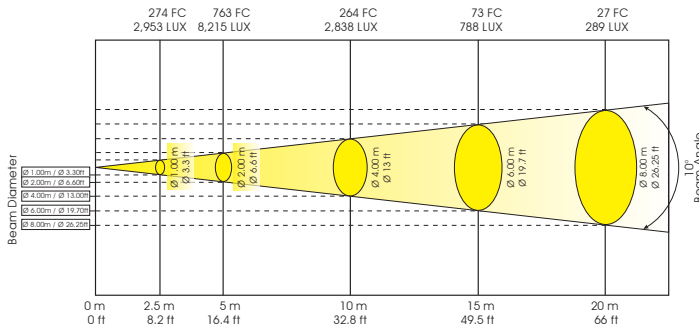
COLORS

- CMY subtractive color mixing
- 7 Dichroic filters, 5 Colors, CTB, CTC + white
- Continuous, variable speed, color scrolling in both directions (rainbow effect)

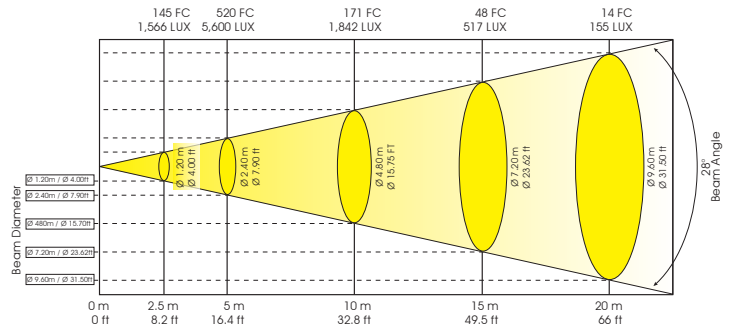


PHOTOMETRICS

CMY Zoom 575
Photometric Beam Angle Data
Minimum Beam Angle 10°
LUX x 0.0929 = FC



Maximum Beam Angle 28°
LUX x 0.0929 = FC



DMX TRAITS

- Channel 1 - Color wheel
- Channel 2 - Cyan filter
- Channel 3 - Magenta Filter
- Channel 4 - Yellow filter
- Channel 5 - Strobe control
- Channel 6 - Mechanical dimmer
- Channel 7 - Effect wheel
(beam shape, frost filter)
- Channel 8 - Zoom (7° ~ 28°)
- Channel 9 - Macros
- Channel 10 - Speed control
- Channel 11 - Special functions



%	1 Color	2 C	3 M	4 Y	5 Strobe	6 Dimming	7 Effect wheel	8 ZOOM	9 Colour And CMY Macro	10 CMY and dimmer speed	11 Auto Program
100%	Color wheel icon	Grey bar	Grey bar	Grey bar	Strobe icon	Dimmer icon	Frost filter	ZOOM7	MARCO15	Blackout by colour	Auto program by music
75%	Color wheel icon	Grey bar	Grey bar	Grey bar	RANDOM STROBE icon	Dimmer icon		ZOOM14	MARCO10	No function	Program 7
50%	Color wheel icon	Grey bar	Grey bar	Grey bar	PULSE-EFFECT IN SEQUENCES icon	Dimmer icon	Beam shaper	ZOOM28	MARCO5	Min	Program 6
25%	Color wheel icon	Grey bar	Grey bar	Grey bar	STROBE EFFECT icon	Dimmer icon	Full beam		MARCO1	Max	Program 5
0%	Color wheel icon	Grey bar	Grey bar	Grey bar	Strobe icon	Dimmer icon				CMY and dimmer speed	Program 4